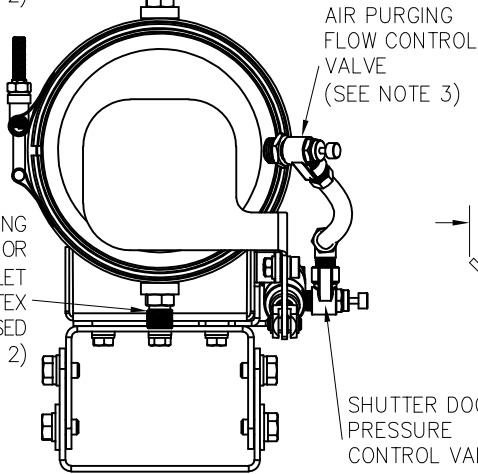
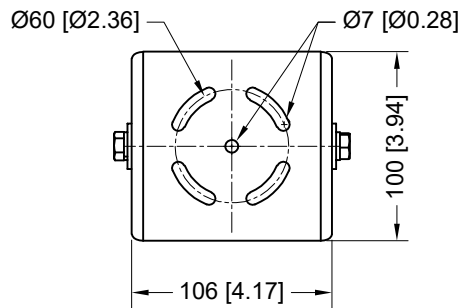


¼" BSPP COOLING WATER OUTLET OR ⅜" NPT AIR INLET IF OPTIONAL VORTEX TUBE IS USED (SEE NOTE 2)



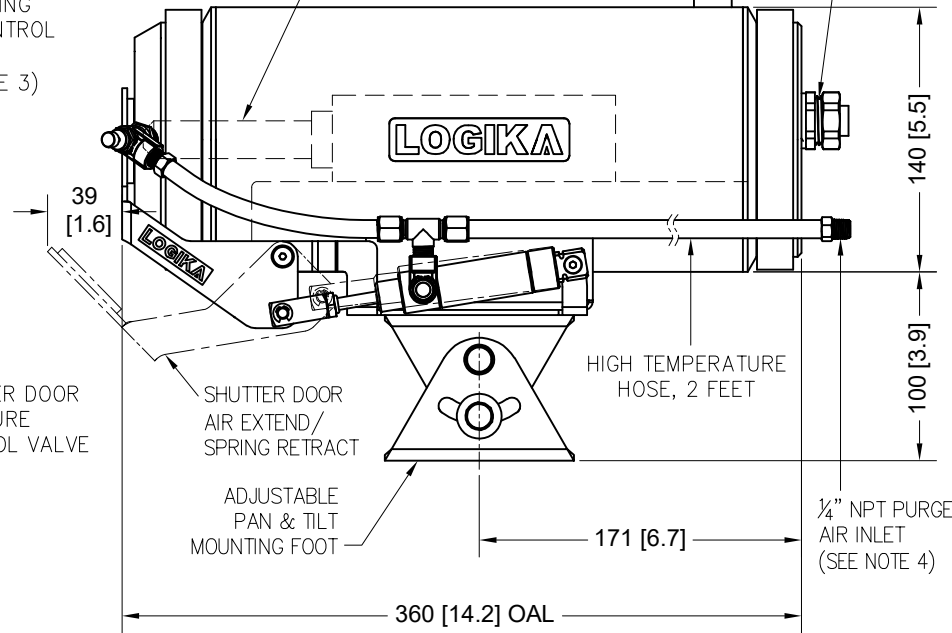
¼" BSPP COOLING WATER INLET OR ⅜" NPT AIR OUTLET IF OPTIONAL VORTEX TUBE IS USED (SEE NOTE 2)



VORTEX TUBE (OPTIONAL)

PIN-HOLE LENS (SEE NOTE 1)

DATA/POWER CONDUITS



NOTES

- 1) PIN-HOLE LENS OPTIONS:
  - a) 4-20MM LENS (74'Hx45'V @4MM F.L.)
  - b) 10-50MM LENS (31'Hx18'V @10MM F.L.)
- 2) CAMERA HOUSING CAN BE AIR/NITROGEN COOLED OR WATER COOLED.
  - a) AIR/NITROGEN COOLED REQUIRING OPTIONAL VORTEX TUBE, 280 LPM (10 SCFM) AT 0.5 TO 0.7 MPA (80 TO 100 PSI), FILTERED TO 25 MICRONS (0.001").
  - b) WATER COOLED, 3 TO 4 LPM (0.8 TO 1.0 GPM) AT TEMPERATURE 5 TO 35°C (41 TO 95°F), FILTERED TO 1.3MM (0.05").
- 3) ADJUST VALVE FOR AIR/NITROGEN PURGE: 42 TO 85 LPM (1.5 TO 3 SCFM).
- 4) AIR/NITROGEN SUPPLY FOR PURGE AIR INLET: 0.3 TO 0.5 MPA (45 TO 70 PSI), FILTERED TO 40 MICRONS (0.016").

A	ORIGINAL ISSUE	---	----
REV:	DESCRIPTION:	BY:	DATE:

TOLERANCES (UNLESS SPECIFIED OTHERWISE)		DIMENSIONS IN MM [INCH]		
FRACTIONS & INTEGERS	±1.0	PROJECTION 		
DECIMALS	.X			±0.2
	.XX			±0.05
ANGLES	±1.0°			

THE COPYRIGHT OF THIS DRAWING IS VESTED IN LOGIKA TECHNOLOGIES INC AND IT MAY NOT BE REPRODUCED IN WHOLE OR PART OR USED FOR THE MANUFACTURE OF ANY ARTICLE WITHOUT THE EXPRESS PERMISSION OF THE COPYRIGHT HOLDERS.

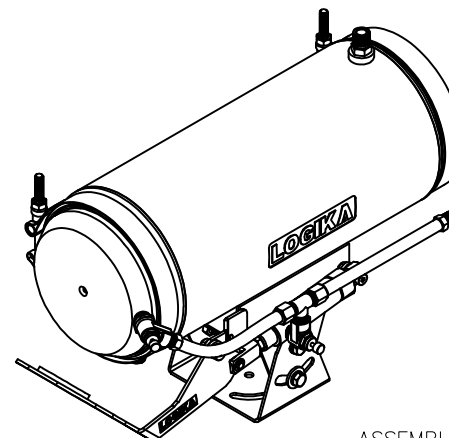
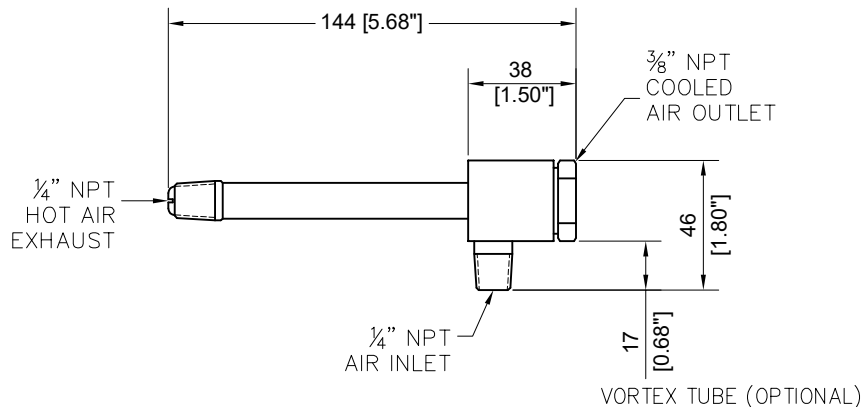
**LOGIKA**  
technologies inc.

12-1250B REID STREET, RICHMOND HILL, ON L4B 1G3 CANADA  
TELEPHONE: (905) 597-7272 / FAX: (905) 597-7287

FURNACE CAMERA SYSTEM  
DW HOUSING (MICRO-EYE)  
WITH SHUTTER, OUTLINE

SCALE:	DATE:	DRAWN:	CHECKED:
1:4	2020/02/19	CC	

DRAWING NO: 10547 REVISION: A



ASSEMBLY PREVIEW